

Printing Films

Compression:	Screen Printing UV
Films:	Laterally correct, positive With marks for fit and colour specifications
Number of Colours:	max. 6 colours (incl. white background)
Colour Scale:	Euro Scale (C,M,Y,K) or Pantone Scale C (Coated)
Font Size:	min. 5 points
Raster Type:	Chaining or elliptical point
Raster Size:	54 lines per cm (138 lpi)
Raster Angles:	C 15°, M 75°, Y 0°, K 45°
Contrast:	min. 15% light drawing Up to 90% dark drawing
Film Density:	min. D=3.5
Grey Density:	max. D=0.6
Colour Proof:	For euro scale printing we always need a relevant colour proof.

ATTENTION: Printouts from laser or inkjet printers are not colourfast and cannot be accepted as a colour proof.

White Background:	Label prints who have to correspondent with the proof need to be pre-printed with a white background. Without white pre-printing the surface of the CD/ DVD / CarD appears silvery.
-------------------	---

Important:

Please do not cross the maximum outer diameter and keep the minimum diameter of the centre space. You don't have to cut out the area of the staple ring but we recommend not to place any written text within it (no warranty zone).

Delivered file formats for graphics

Data Transfer: ISDN +41(0)55 450 00 62
Please call us before you start transmitting the file.

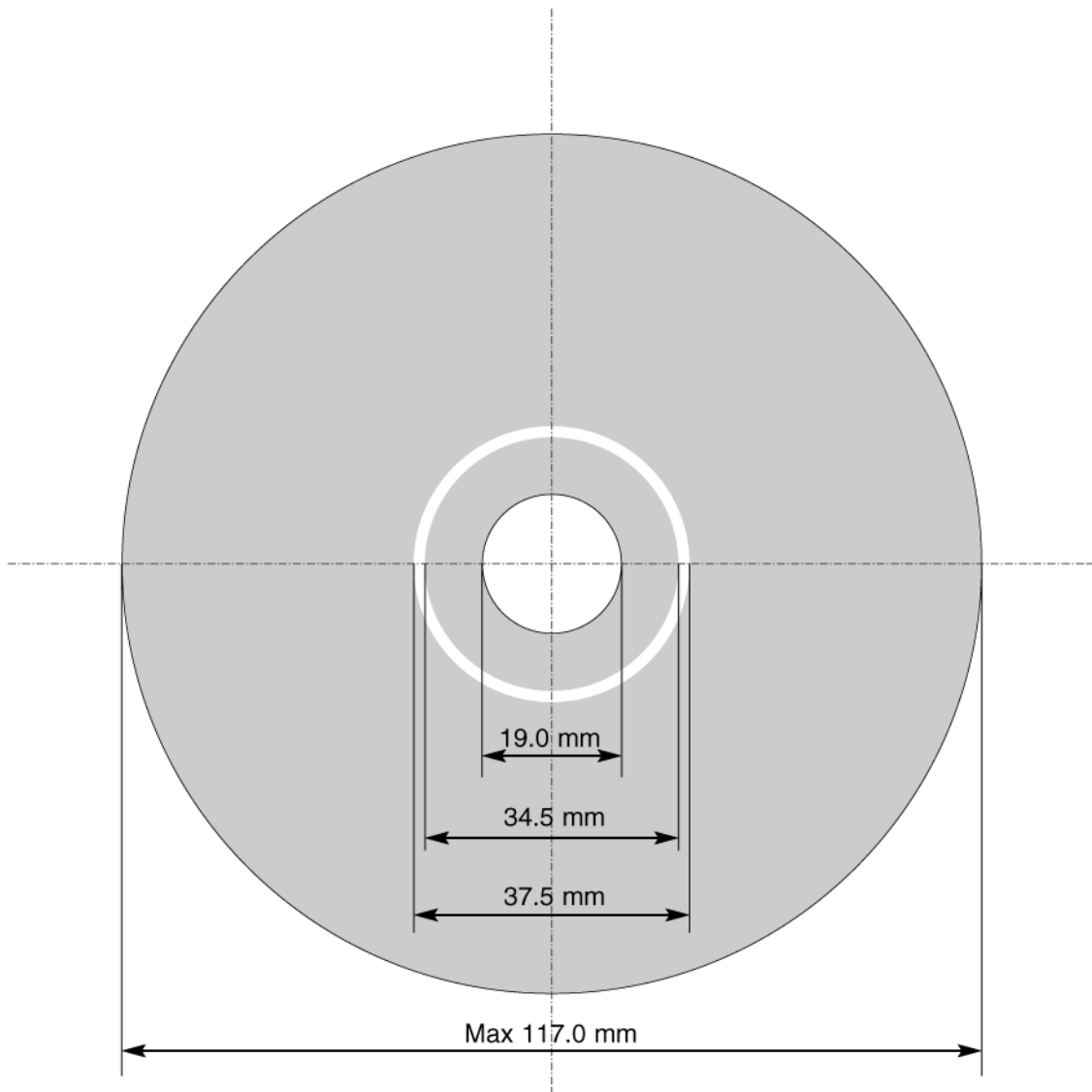
Data Carrier: CD-R
Floppy Disk 3.5"
ZIP
JAZ

Data Format: EPS-File
All fonts vectorised, pictures fixed or as TIF

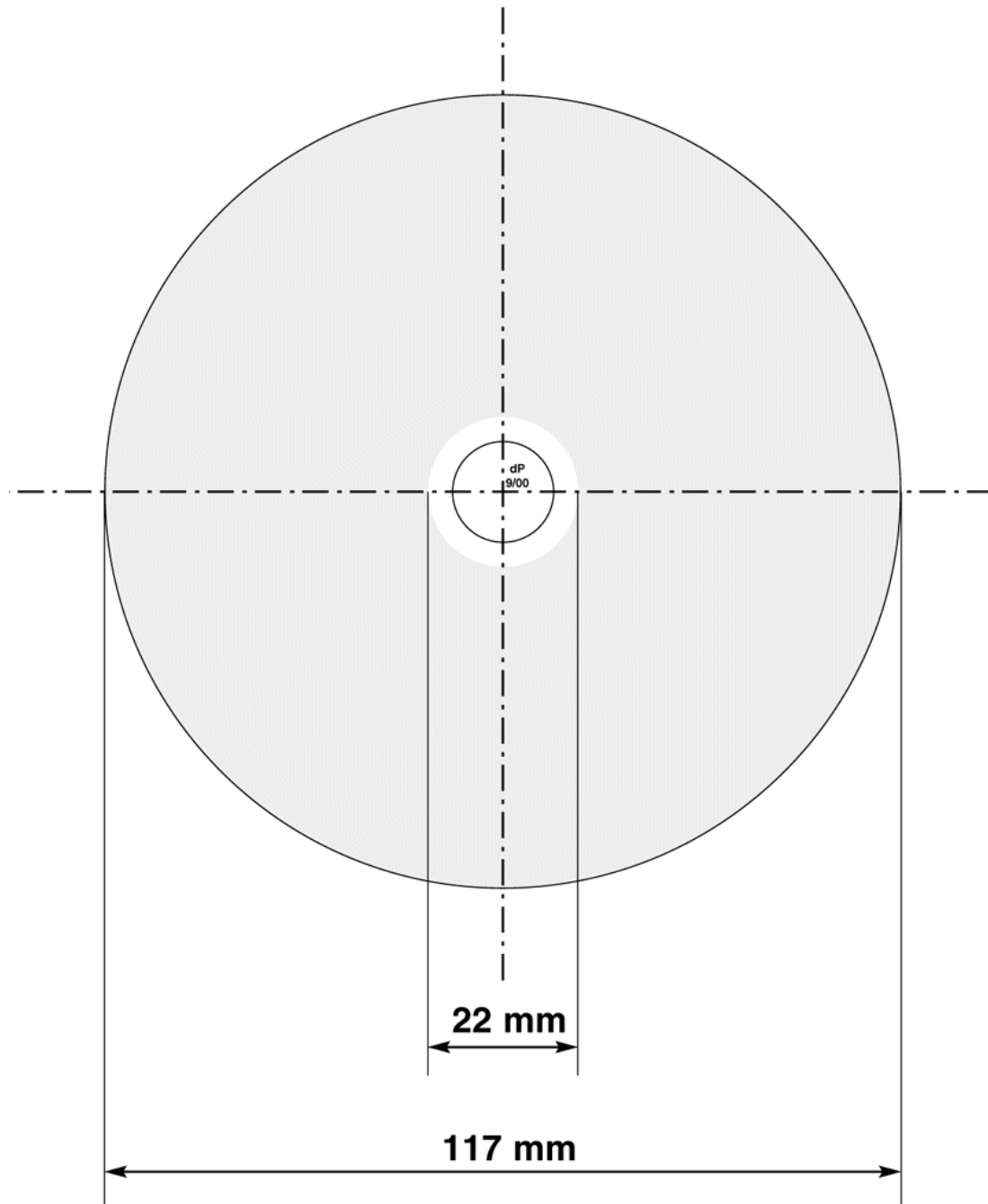
Resolution: min. 305 dpi

Our programs: We work on Macintosh with
- Adobe Illustrator 9.0
- Adobe PhotoShop 5.0
- Quark X-Press 4.0

Screen Printing CD / CD-Recordable

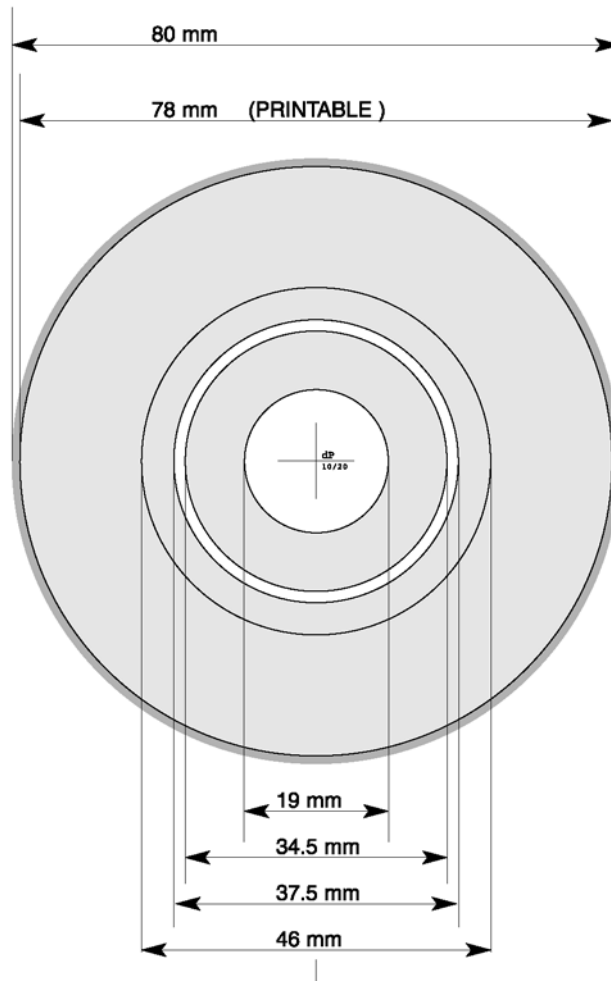


Screen Printing DVD5 + DVD9

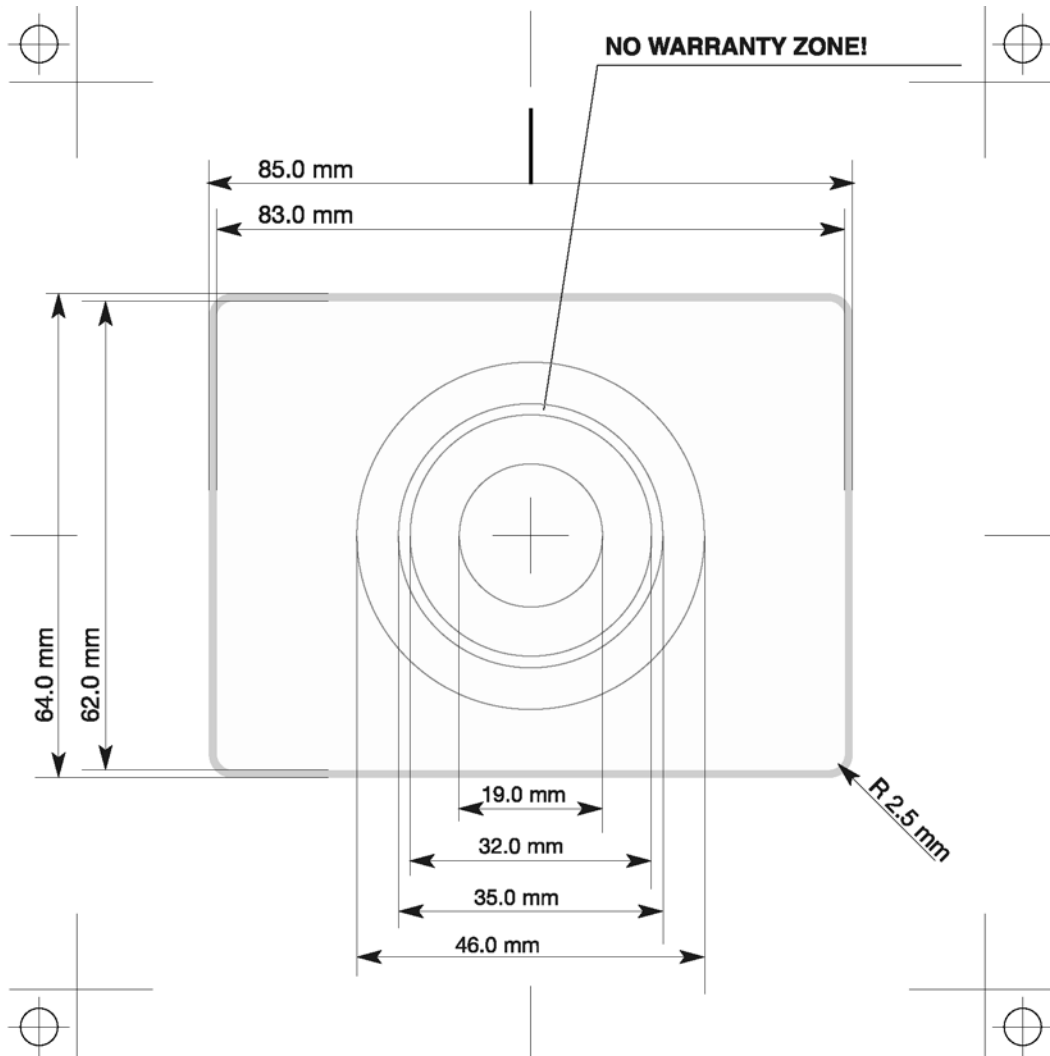


Please note: The DVD does not have a staple ring on the upper side!

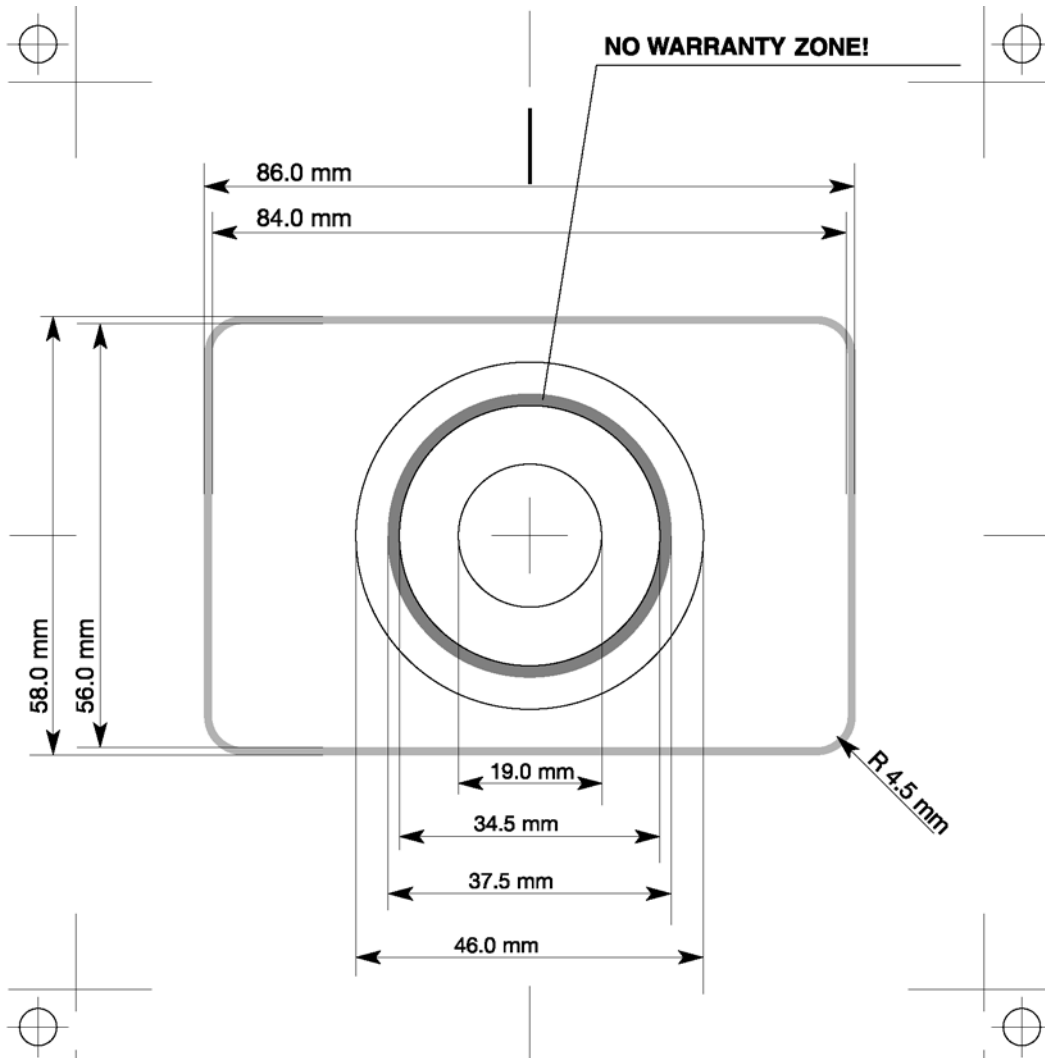
Screen Printing Mini-CD 8cm / Mini-CD-Recordable 8cm / Mini-DVD-Recordable 8cm



Screen Printing Ring-CarD 80MB



Screen Printing Ring-CarD-Recordable 30MB / Ring-DVD5-CarD 200MB



Screen Printing Ring-CarD-Recordable 60MB

